

MILCOM 6000

DIVERS THROUGH WATER COMMUNICATIONS



NORTHERN DIVER

MINE WARFARE & MILITARY DIVING SPECIALISTS

TEL: +44 (0) 1257 25 44 44 | EMAIL: INFO@NDIVER.COM | WWW.NDIVER-MILITARY.COM
EAST QUARRY, APPLBY LANE NORTH, APPLBY BRIDGE, WN6 9AE

MILCOM

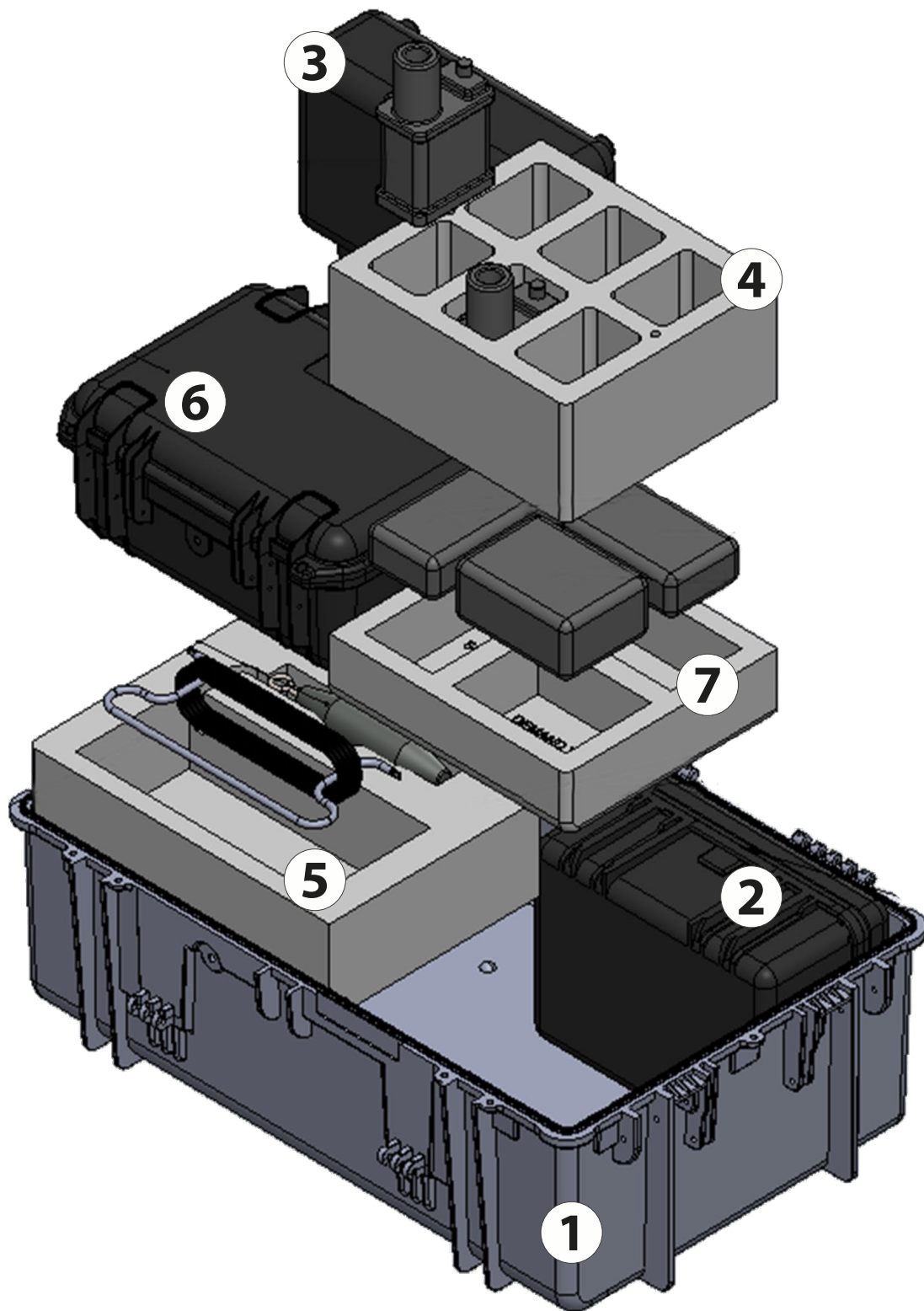
FULL SYSTEM CONTENTS

FULL SYSTEM

1. Mass gross: 37.2kg
2. Dimensions: 830*565*325mm

FULL SYSTEM CONTENTS

1. Transit Case
2. Multi-Charger
3. Supervisors Unit
4. DU Insert Tray
 - A. 6000D Divers Units (6)
5. TD Insert Tray
 - A. Transducer
 - B. Transducer Cable
 - C. Transducer Cable Weight
 - D. Transducer Cable Hanger
6. Ancillary Case
 - A. Headset - CDK
 - B. Transducer Cable - CDK
 - C. Headset - SU
 - D. Handheld Mic
 - E. Single Charger - SU
 - F. Log Book
7. SP Insert Tray
 - A. Spares Kit
 - B. Routine Maintenance Kit
 - C. Demand Valve Test Kit



DESCRIPTION

MILCOM

ND NO.

ND0003454

NSN

5895-99-429-6470

NORTHERN DIVER

INFO@NDIVER.COM | +44 (0) 1257 25 44 44

VISIT WWW.NDIVER-MILITARY.COM

<p>TRANSIT CASE</p> 	<p>MULTI-CHARGER</p> 	<p>SUPERVISORS UNIT</p> 	<p>DU INSERT TRAY</p> 
<p>DIVER UNITS</p> 	<p>TD INSERT TRAY</p> 	<p>TRANSDUCER</p> 	<p>TRANSDUCER CABLE</p> 
<p>TRANSDUCER CABLE WEIGHT</p> 	<p>TRANSDUCER CABLE HANGER</p> 	<p>ANCILLARY CASE</p> 	<p>HEADSET CDK</p> 
<p>TRANSDUCER CABLE CDK</p> 	<p>HEADSET SU</p> 	<p>HANDHELD MIC</p> 	<p>SINGLE CHARGER</p> 
<p>LOG BOOK</p> 	<p>SP INSERT TRAY</p> 	<p>SPARES KIT</p> 	
<p>ROUTINE MAINTENANCE KIT</p> 		<p>DEMAND VALVE TEST KIT</p> 	

CONTENTS

PAGE NO.	ITEM NAME.	ND CODE
006	Transit Case	ND0003423
007	Multi-Charger	ND0003442
008	Supervisors Unit	ND0003426
009	DU Insert Tray	ND0003409
010	6000D Divers Units	ND0003425
011	TD Insert Tray	ND0003408
012	Transducer	ND0003444
013	Transducer Cable	ND0003433
014	Transducer Cable Weight	ND0003406
015	Transducer Cable Hanger	ND0001965
016	Ancillary Case	ND0003427
017	Headset - CDK	ND0003429
018	Transducer Cable - CDK	ND0003430
019	Headset - SU	ND0003428
020	Handheld Mic	ND0003431
021	Single Charger - SU	ND0003432
022	Log Book	ND0003568

PAGE NO.	ITEM NAME.	ND CODE
023	SP Insert Tray	ND0003407
024	Spares Kit	ND0003564
025	Ear Mic Assembly	ND0003405
026	Hi Use Connector	ND0003435
027	Belt Clip	ND0003436
028	Black Storage Bag	ND0003573
029	Routine Maintenance Kit	ND0003437
030	Micro Fibre Cloth	ND0003438
031	O-Ring Pick	ND0003439
032	Brush	ND0003440
033	Grease	ND0003441
034	Screwdriver	ND0003562
035	Black Storage Bag	ND0003574
036	Demand Valve Test Kit	ND0001954
037	AP0519/US4 regulator	ND0003215
038	Black Storage Bag	ND0003575
039	Gauge 0-40	ND0003214
040	Nylon Washer	ND0003216
041	Brass Connector	ND0003052
042	O-Ring BS011 NBR70	ND0000130
043	Allen Key 5mm	ND0003021
044	Allen Key 6mm	ND0003020
045	Dust Cap (with regulator)	N/A
046	Demand Valve Service card	ND0002782

TRANSIT CASE

HOUSES FULL MILCOM SYSTEM

Made of high impact ABS with IP67 protective degree, this case provides the ultimate protection for carrying MILCOM equipment.

The injection moulded case can withstand the strains of floodwaters and can even be submerged and still keep all valuable devices safe and dry. They protect your delicate equipment from handling abuse and the most extreme and hazardous conditions.

Shock proof, dust proof, waterproof, un-crushable, anti-chemical corrosion, high temperature resistance.

Professionally designed and developed strictly complying with the highest safety protection standard

Patented material with a fantastic weather proof ability

Working temperature range from -40°C~90°C

Case body is anti-ultraviolet and impact resistance

Advanced valve design, avoid troubles of pressure differences

Patented design of the seal has a IP67 protection

External (LxWxD): 830*565*325mm

Internal (LxWxD): 763*483*302mm

Material : engineer pp and glass fiber

Volume: 113L

Buoyancy max. (kg) : 81.8kg (180.33lbs)

Ergonomic handle on top and side

Wheels: stainless steel ball bearing

**IP67 - protected from dust and capable of withstanding water immersion between 15 cm and 1 meter for 30 minutes.*



DESCRIPTION

MILCOM

ND NO.

ND0003423

NSN

5895-99-564-4653

NORTHERN DIVER

INFO@NDIVER.COM | +44 (0) 1257 25 44 44

VISIT WWW.NDIVER-MILITARY.COM

MULTI-CHARGER

Multi-Charger to be confirmed in August 2023

INITIAL ISSUE ITEM
x1 hard case (as photographed)
x6 single chargers (as photographed)



DESCRIPTION
MILCOM
ND NO.
ND0003442
NSN
TBC

SUPERVISORS UNIT

Wireless communications can now be discreetly and more securely transmitted for the first time in wireless communication history.

Housed in a completely new smaller, lighter and more rugged case with removable lid.



Battery Information
There are 2 x packs within a supervisor Unit

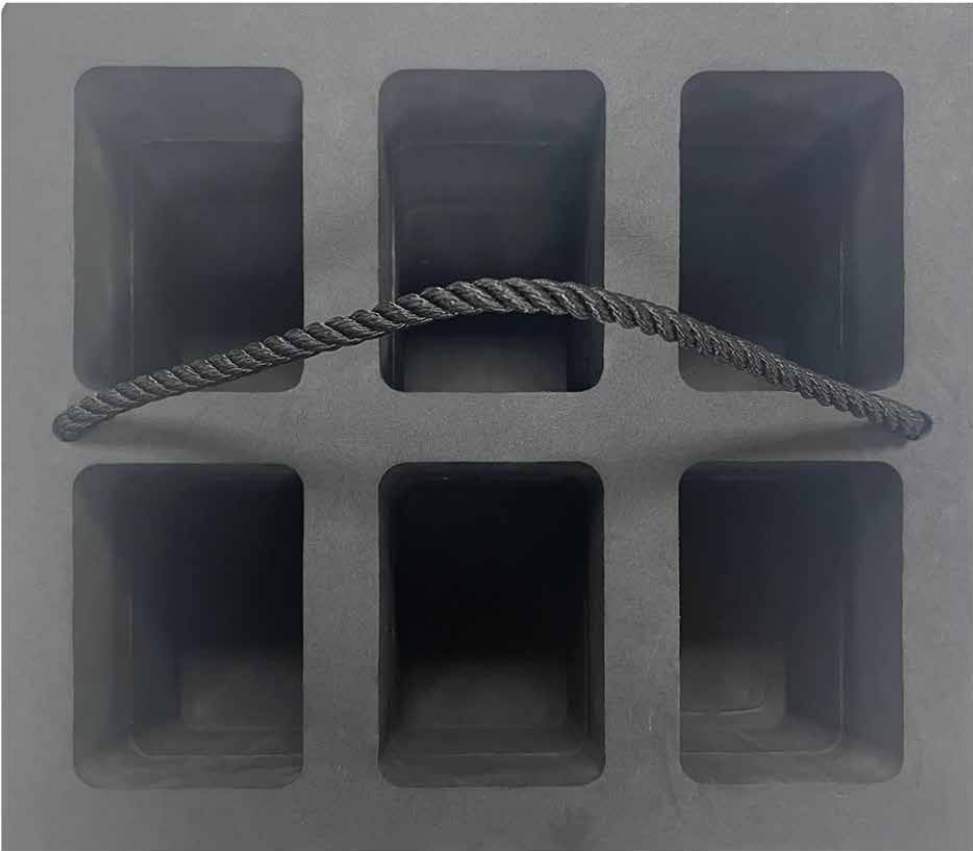


DESCRIPTION
MILCOM
ND NO.
ND0003426
NSN
5820-01-708-1573

NORTHERN DIVER
 INFO@NDIVER.COM | +44 (0) 1257 25 44 44
 VISIT WWW.NDIVER-MILITARY.COM

TRANSIT CASE DU INSERT TRAY

Foam insert sits inside the Transit Case and houses the Divers Units.



DESCRIPTION
MILCOM
ND NO.
ND0003409
NSN
8145-99-226-7962

MILCOM 6000D

2 CHANNEL (70 WATTS OUTPUT POWER)

A wireless unit only, the new MilCom 6000D adds scrambled communications! It is a new 70-watt, two-channel unit with an all new voice menu system and comes standard with rechargeable lithium-ion battery for extended run time and charger.

SPECIFICATIONS

Typical range: channel A: 6,000m in calm sea, 1,000m in sea state 6.

Channel B: 1,000m in calm sea: 100m in sea state 6. Note: environmental variability such as that caused by biological noise and interference, thermoclines, etc., can reduce range.

Audio frequency response: 300 Hz to 3.6 kHz

Acoustic output power: 70 watts PEP (peak envelope power)(channel A)

Receiver sensitivity: -110 dBv

Automatic gain control: 120 dB dynamic range

Transmitter activation: manual activation (push-to-talk – PTT)

Battery life: assuming 10% duty cycle: 12hrs on high power channel A or 14hrs on low power B

Battery: lithium-ion rechargeable

Low battery indicator: blinking RED LED and audible signal

Transducer: piezoelectric type

Earphone: ceramic type (standard on most full face masks)

Maximum depth: 300 fsw

Operating temp: 0°C to +60°C (32°F to + 140°F)

Storage temp: -10°C to +60°C (14°F to + 140°F)

Connector type: Hi-USE® (1/2 hardened naval brass, gold-plate pins)

Housing: injection-moulded polycarbonate

Standard frequencies: channel A: 25 kHz OR 28.5 kHz lower sideband (LSB). Channel B: 33 kHz upper sideband (USB).

Housing dims: H: 7", W: 4.2", D: 2.65"



Divers Unit Battery
this is 4 in series
contained in 1x Unit

DESCRIPTION

MILCOM

ND NO.

ND0003425

NSN

5820-01-708-1571

NORTHERN DIVER

INFO@NDIVER.COM | +44 (0) 1257 25 44 44

VISIT WWW.NDIVER-MILITARY.COM

TRANSIT CASE TD INSERT TRAY

Foam insert sits inside the Transit Case and houses the following items:

- 1. Transducer
- 2. Transducer Cable (SU)
- 3. Transducer Cable Weight
- 4. Transducer Cable Hanger



DESCRIPTION
MILCOM
ND NO.
ND0003408
NSN
8145-99-564-4654

TRANSDUCER

MILCOM SU + MILCOM DU

TRANSDUCER ASSEMBLY

Acts as the 'antenna' of the unit.
Transducer is replaceable.

TRANSDUCER RING

A rotating locking ring that secures the transducer or transducer cable when used with the surface conversion kit.

900474-004



DESCRIPTION

MILCOM

ND NO.

ND0003444

NSN

5935-99-350-3809

NORTHERN DIVER

INFO@NDIVER.COM | +44 (0) 1257 25 44 44
VISIT WWW.NDIVER-MILITARY.COM

TRANSDUCER CABLE SU

910513-000
TCA-6MC-55,XDUCER,25KHZ,CAGE



DESCRIPTION
MILCOM
ND NO.
ND0003433
NSN
6150-99-992-2039

TRANSDUCER CABLE WEIGHT

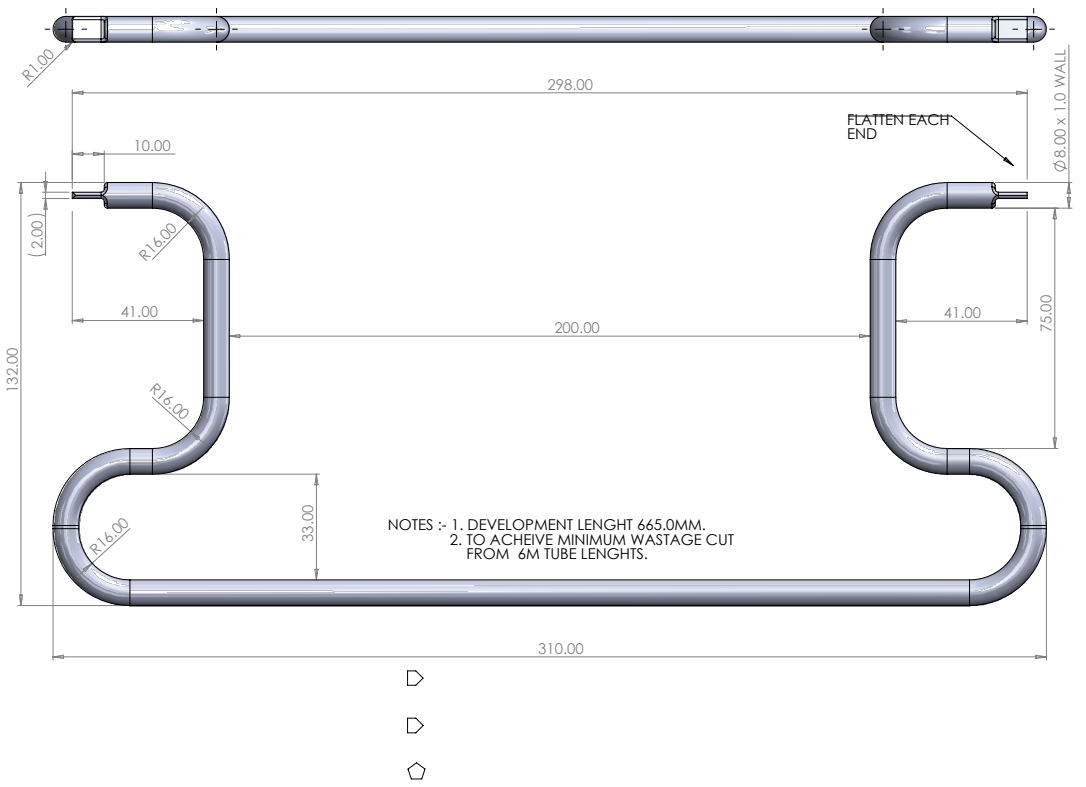
Build: stainless steel
Weight: 2kg



DESCRIPTION
MILCOM
ND NO.
ND0003406
NSN
4220-99-157-3174

TRANSDUCER CABLE HANGER

Material: 316 stainless steel tube
 Thickness: 8mm
 Diameter: 1mm



DESCRIPTION
MILCOM
ND NO.
ND0001965
NSN
5975-99-536-1967

ANCILLARIES

ANCILLARY CASE

Higher intensity, heavy duty and durable. Airtight, waterproof, shockproof and anti-corrosion performance.

MATERIAL

Engineered resin and glass fibre

FOAM

Filled with pre-cut foam which is easy to customise to secure valuable equipment

OTHER FEATURES

- Valve with O-ring for manual pressure adjustment
- Latches snap tightly closed
- Impact resistant
- IP67 waterproof rating
- Temperature range: -40~90



DESCRIPTION

MILCOM

ND NO.

ND0003427

NSN

5895-99-917-4087

ANCILLARIES HEADSET (CDK)

Headset, deluxe headset with boom mic.(included w/CDK-6)(incl. PTT).

SKU
910019-007



DESCRIPTION
MILCOM
ND NO.
ND0003429
NSN
5965-01-584-7601

ANCILLARIES TRANSDUCER CABLE

Transducer cable, 55' w/AMP con.
Transducer extension cable.

SKU
910017-000



DESCRIPTION
MILCOM
ND NO.
ND0003430
NSN
6150-01-708-1184

ANCILLARIES HEADSET (SU)

Headset, deluxe headset with boom mic

900479-000

THB-PMC,HEADSET,
POWER/MILCOM,SU



DESCRIPTION

MILCOM

ND NO.

ND0003428

NSN

5965-01-708-1955

NORTHERN DIVER

INFO@NDIVER.COM | +44 (0) 1257 25 44 44
VISIT WWW.NDIVER-MILITARY.COM

ANCILLARIES

HANDHELD MIC (SU HHM-5)

Hand held microphone

910514-000

HHM-5,HAND HELD
MIC,POWER/MILCOM,SU



DESCRIPTION

MILCOM

ND NO.

ND0003431

NSN

5965-01-708-5118

ANCILLARIES

SINGLE CHARGER

912167-000 (red and black wired part)
EPP-3,EXT
PWR/CHRGNG,POWER/MILCOM,SU

910510-001
S/ASSY,RCLi-2,CHARGER,POWER/MILCOM,UK



DESCRIPTION

MILCOM

ND NO.

ND0003432

NSN

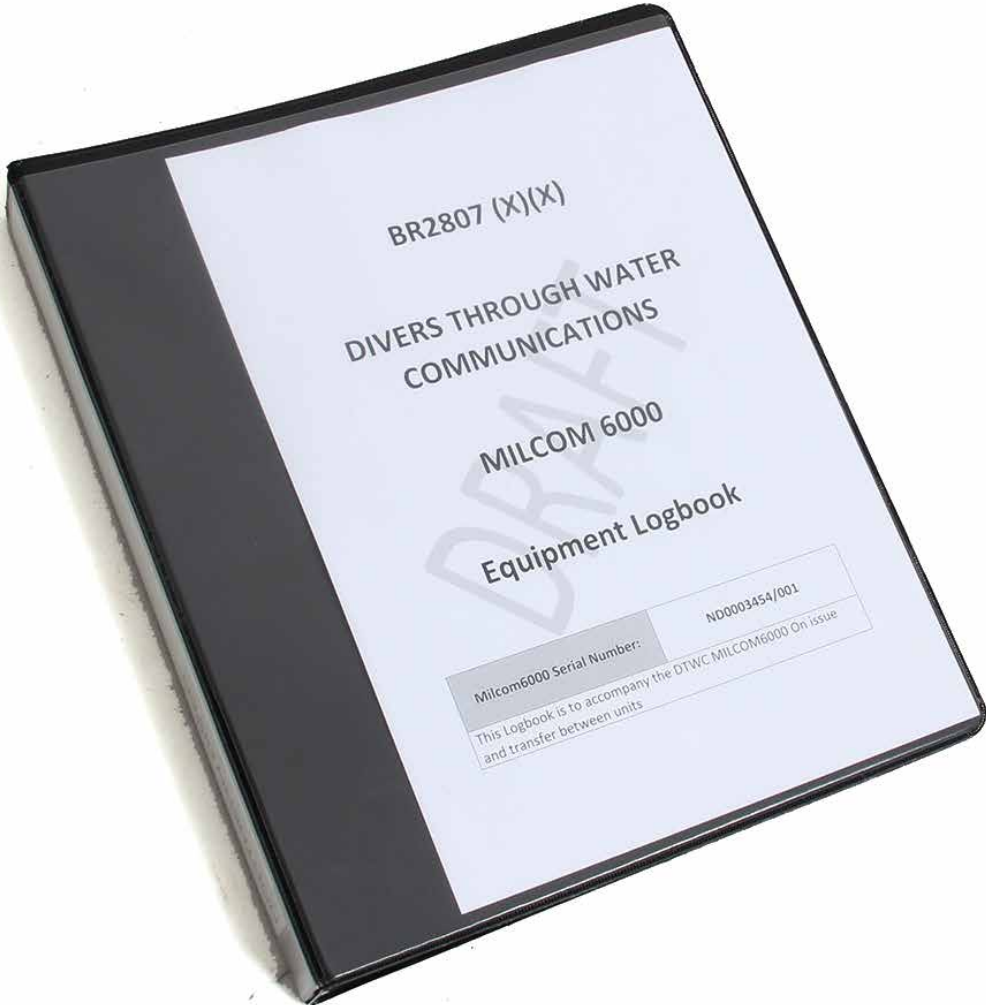
6130-01-708-3401

NORTHERN DIVER

INFO@NDIVER.COM | +44 (0) 1257 25 44 44
VISIT WWW.NDIVER-MILITARY.COM

ANCILLARIES LOG BOOK

Folder to store logs
Standard 2 O-ring mechanism
Label on spine for quick identification
Colour: black
Material type: plastic
Sheet size: A4



DESCRIPTION
MILCOM
ND NO.
ND0003568
NSN
7510-99-847-6599

SPARES SP INSERT TRAY

Foam insert sits inside the Transit Case and houses the following items:

Spares Kit

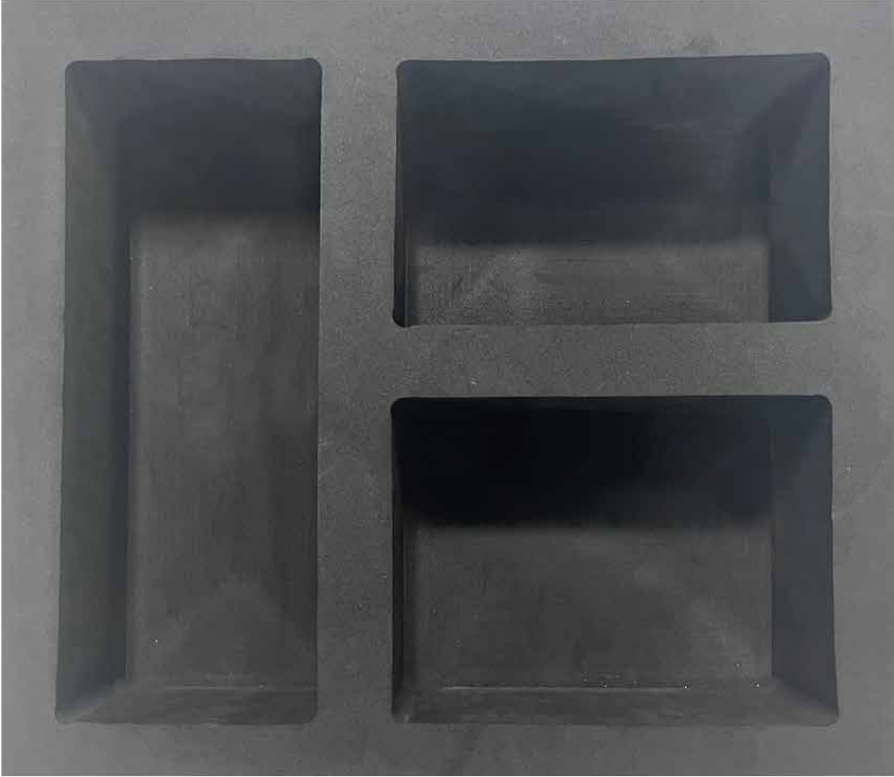
- 1. Ear Mic Assembly
- 2. Hi Use connector
- 3. Belt Clip

Routine Maintenance Kit

- 1. Micro Fibre Cloth
- 2. O-Ring Pick
- 3. Brush
- 4. Grease
- 5. Screwdriver

Demand Valve Test Kit

- 1. AP0519/US4 (US4 35bar ADJ regulator)
- 2. Black storage bag
- 3. Gauge 0-40
- 4. Nylon Washer
- 5. Brass Connector
- 6. O-Ring BS011 NBR70
- 7. Allen Key 5mm
- 8. Allen Key 6mm
- 9. Dust Cap (with Regulator)
- 10. Demand Valve Service card



DESCRIPTION
MILCOM
ND NO.
ND0003407
NSN
8145-99-863-6315

SPARES KIT FULL KIT

KIT CONTENTS

- 1. Ear Mic Assembly
- 2. Hi Use Connector
- 3. Belt Clip
- 4. Black Storage Bag



DESCRIPTION
MILCOM
ND NO.
ND0003564
NSN
5895-99-997-0559

SPARES KIT

EAR MIC ASSEMBLY

Designed to allow the user to connect either hard-wire or through-water communications

Wired and wireless: works with both hardwire or wireless communication units

Noise cancelling: includes ME-16R studio quality noise cancelling mic

Push to talk: easy to install coverplate with push to talk assembly

Connector type: Hi-Use Connector

911060-104

EMA-2SM-BLNK,E-M,AGA,DUAL
EP-2,SPER MIC



DESCRIPTION

MILCOM

ND NO.

ND0003405

NSN

5965-99-847-5492

NORTHERN DIVER
INFO@NDIVER.COM | +44 (0) 1257 25 44 44
VISIT WWW.NDIVER-MILITARY.COM

SPARES KIT - FULL CONTENTS



SPARES KIT

HI USE CONNECTOR

Replacement AD8PMHI17 Cable for the PowerCom and MilCom Diver Units.

SKU
900474-001



DESCRIPTION

MILCOM

ND NO.

ND0003435

NSN

5935-01-708-1188

NORTHERN DIVER
INFO@NDIVER.COM | +44 (0) 1257 25 44 44
VISIT WWW.NDIVER-MILITARY.COM

SPARES KIT - FULL CONTENTS



SPARES KIT BELT CLIP

- 1x belt bracket
- 3x screws

The belt clip can be mounted on a belt or on a BCD tank strap. For best range between divers and surface station, it is recommended to mount the unit as far back on the tank strap as possible.

137084-000



DESCRIPTION
MILCOM
ND NO.
ND0003436
NSN
8465-01-708-1681



SPARES KIT BLACK STORAGE BAG

Black nylon build
Stitched construction
Drawstring with pull toggle closure



DESCRIPTION
MILCOM
ND NO.
ND0003573
NSN
4220-99-262-7913



ROUTINE MAINTENANCE KIT

FULL KIT

KIT CONTENTS

1. Micro Fibre Cloth
2. O-Ring Pick
3. Brush
4. Grease
5. Screwdriver
6. Black Storage Bag

1



2



3



4



5



6



DESCRIPTION

MILCOM

ND NO.

ND0003437

NSN

5895-99-352-7445

NORTHERN DIVER

INFO@NDIVER.COM | +44 (0) 1257 25 44 44

VISIT WWW.NDIVER-MILITARY.COM

ROUTINE MAINTENANCE KIT

MICRO FIBRE CLOTH

Better absorbency and more scrubbing power than cotton cloths. Lifts and traps dirt and moisture, leaving surfaces clean, dry and polished. No chemicals required. Washable up to 400 times.

Colour: blue
Product length: 380 mm
Product width: 380 mm



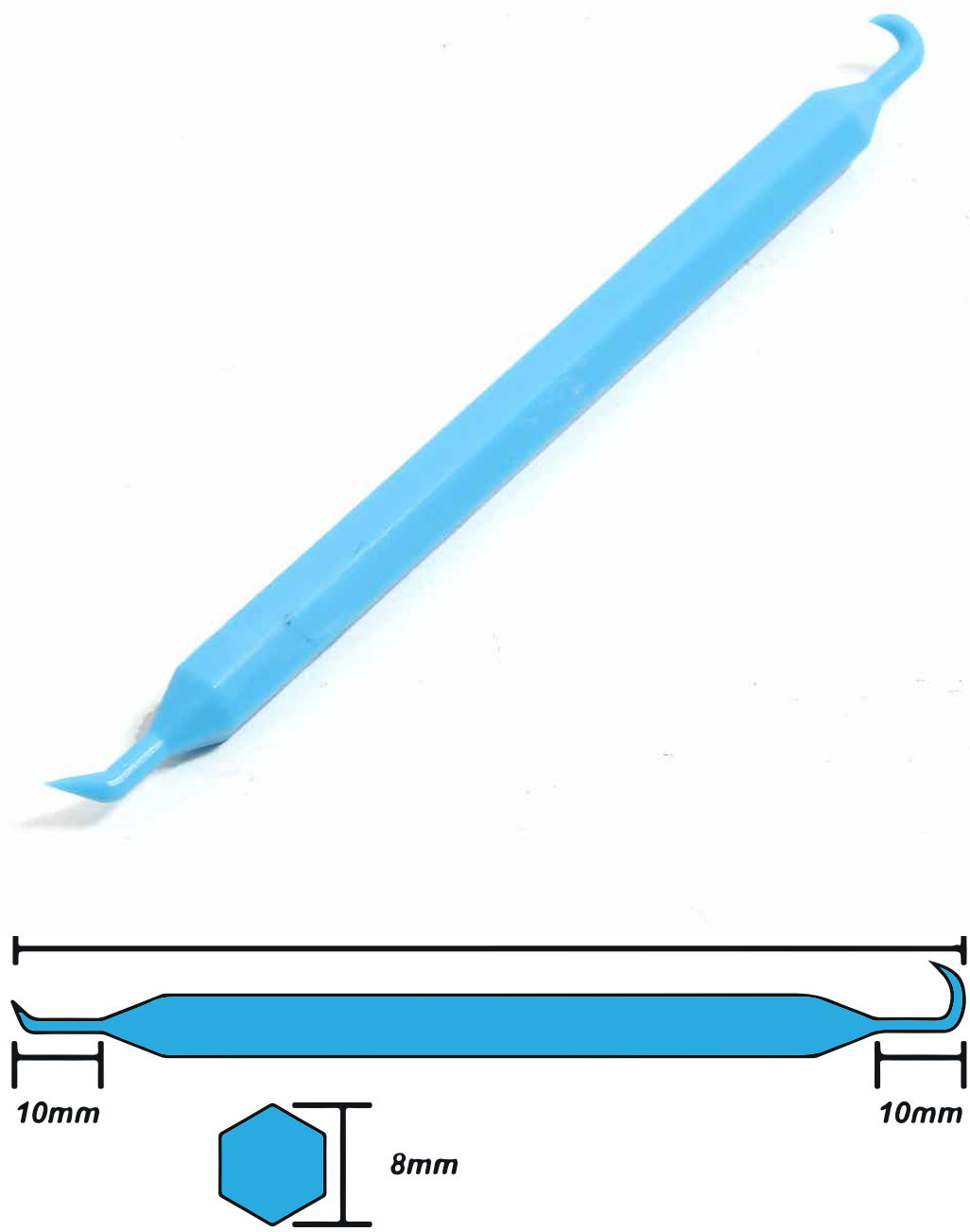
DESCRIPTION
MILCOM
ND NO.
ND0003438
NSN
7920-99-847-6595



ROUTINE MAINTENANCE KIT O-RING PICK

Plastic O-ring Pick: Hard plastic o-ring pick. Tough enough to remove the smallest o-rings, but won't scratch your gear.

Robust, corrosion resistant construction.



DESCRIPTION
MILCOM
ND NO.
ND0003439
NSN
5120-99-517-6978



ROUTINE MAINTENANCE KIT BRUSH

INCLUDES
Large and small brush with wiper blade
Durable nylon scrubbing bristles
Soft, comfortable non-slip grips

SIZE
16.51 x 3.81 x 1.91 cm

WEIGHT
68.04g

MATERIAL
Stainless Steel



DESCRIPTION
MILCOM
ND NO.
ND0003440
NSN
5985-99-327-6727

NORTHERN DIVER
INFO@NDIVER.COM | +44 (0) 1257 25 44 44
VISIT WWW.NDIVER-MILITARY.COM



ROUTINE MAINTENANCE KIT GREASE

PTFE (polytetrafluoroethylene) is a great multi-purpose lubricant, unlike silicone grease it is compatible with most compounds.

In comparison to other petroleum-based greases, PTFE will provide a longer lasting performance.

Proper lubrication is recommended to reduce friction and corrosion, improving O-ring performance over time.

Temperature range

Up to 230°C (Intermittent)
Down to -40°C

Benefits of PTFE grease:

- Can be used on silicone O-rings, seals and other components
- Long-lasting performance
- High dielectric strength for Radio Frequency (RF) shielding and electrical insulation
- Radiation resistant for radiation applications such as microwaves and sterilizers



DESCRIPTION

MILCOM

ND NO.

ND0003441

NSN

9150-99-157-311

NORTHERN DIVER

INFO@NDIVER.COM | +44 (0) 1257 25 44 44
VISIT WWW.NDIVER-MILITARY.COM

ROUTINE MAINTENANCE KIT - FULL CONTENTS



ROUTINE MAINTENANCE KIT SCREWDRIVER

ROBUST CONSTRUCTION

The Pro Phillips Screwdriver incorporates a robust chrome vanadium steel bar, that makes it durable and corrosion resistance.

ERGONOMIC HANDLE

The soft touch handles of the Pro Phillips Screwdriver offers increased comfort and control. The curved handle has enough room for your hand to hold the screwdriver comfortably.

SMART MAGNETIC TIP

Magnet in the shaft prevents from slipping and holds the screw securely while in use.

COLOR CODED HANDLE

The color-coded handle of the Pro Phillips Screwdriver makes the selection process easier and makes size identification convenient.

SIZE + WEIGHT

3.5 x 4.3 x 23 cm
60g

MATERIAL

Chrome Vanadium Steel



DESCRIPTION
MILCOM
ND NO.
ND0003562
NSN
5120-99-680-0480



ROUTINE MAINTENANCE KIT

BLACK STORAGE BAG

Black nylon build
Stitched construction
Drawstring with pull toggle closure



DESCRIPTION
MILCOM
ND NO.
ND0003574
NSN
4220-99-177-3969



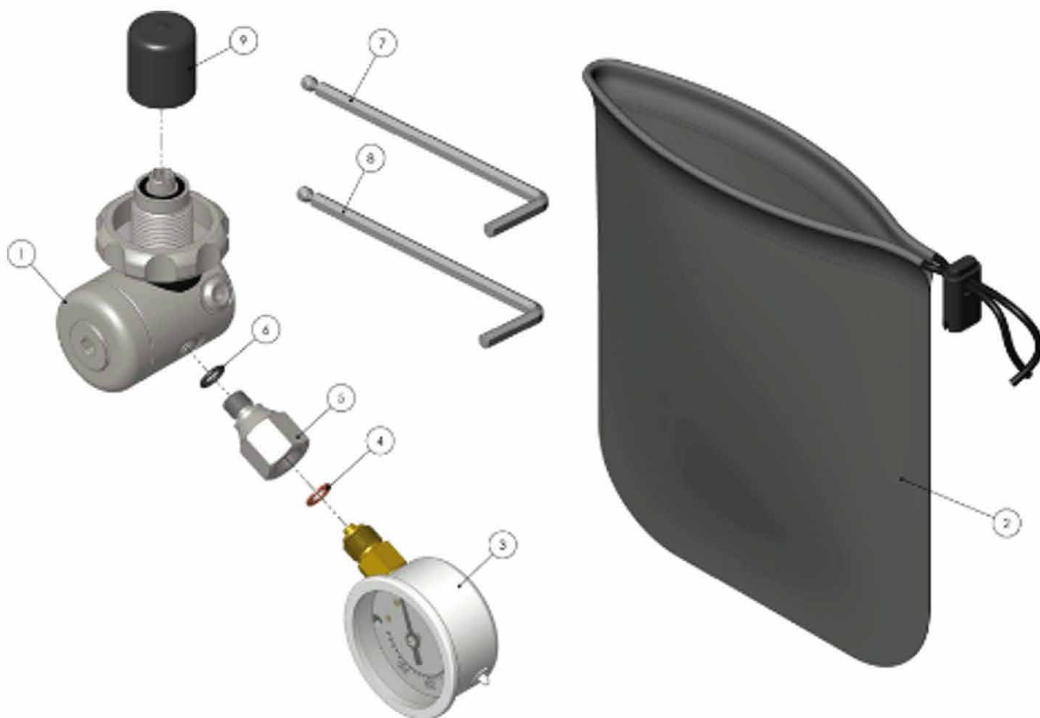
DEMAND VALVE TEST KIT

FULL KIT

KIT CONTENTS

1. AP0519/US4
(US4 35bar ADJ regulator)
2. Black storage bag
3. Gauge 0-40
4. Nylon Washer
5. Brass Connector
6. O-Ring BS011 NBR70
7. Allen Key 5mm
8. Allen Key 6mm
9. Dust Cap (with Regulator)
10. Demand Valve Service card

This will not be supplied on issue of MILCOM kits. Users to place their own Demand Valve Test Kit in the box.



DESCRIPTION

MILCOM

ND NO.

ND0001954

NSN

4220-99-154-2632

DEMAND VALVE TEST KIT

AP0519/US4 (US4 35 BAR ADJ REGULATOR)

A compact unsealed first stage with four medium pressure ports and one high pressure port.

A balanced diaphragm type that offers consistent performance from start of dive until end of dive, regardless of depth.



DESCRIPTION

MILCOM

ND NO.

ND0003215

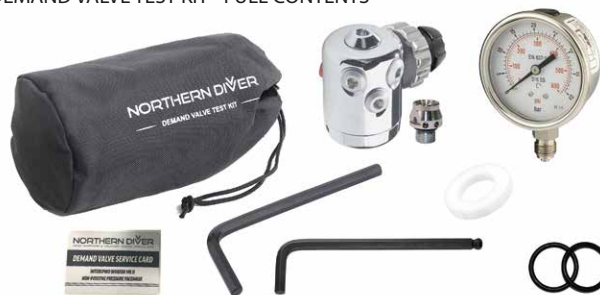
NSN

N/A

NORTHERN DIVER

INFO@NDIVER.COM | +44 (0) 1257 25 44 44
VISIT WWW.NDIVER-MILITARY.COM

DEMAND VALVE TEST KIT - FULL CONTENTS



DEMAND VALVE TEST KIT

BLACK STORAGE BAG

Black nylon build
Stitched construction
Drawstring with pull toggle closure



DESCRIPTION
MILCOM
ND NO.
ND0003575
NSN
4220-99-157-3176

NORTHERN DIVER
INFO@NDIVER.COM | +44 (0) 1257 25 44 44
VISIT WWW.NDIVER-MILITARY.COM



DEMAND VALVE TEST KIT GAUGE 0-40

All Stainless Steel
Process Pressure Gauge
Bottom Entry, Dual Scale (Bar/PSI)
Stainless Steel Case & Bezel
Plastic Window (Safety Glass Option)
AISI 316L Stainless Steel Wetted Parts

SIZE
40mm



DESCRIPTION
MILCOM
ND NO.
ND0003214
NSN
N/A



DEMAND VALVE TEST KIT

NYLON WASHER

Flat Washer
Polyamide

External diameter: 10mm
Finish: natural
For use with thread size: M5 (5mm)
Internal diameter: 5.2mm
Material: PA 6.6
Material specification: PA 6.6
Thickness: 3mm



DESCRIPTION

MILCOM

ND NO.

ND0003216

NSN

N/A

NORTHERN DIVER

INFO@NDIVER.COM | +44 (0) 1257 25 44 44
VISIT WWW.NDIVER-MILITARY.COM

DEMAND VALVE TEST KIT - FULL CONTENTS



DEMAND VALVE TEST KIT

DUST CAP

Dust cap with regulator



DESCRIPTION
MILCOM
ND NO.
N/A
NSN
N/A

NORTHERN DIVER
INFO@NDIVER.COM | +44 (0) 1257 25 44 44
VISIT WWW.NDIVER-MILITARY.COM



DEMAND VALVE TEST KIT

BRASS CONNECTOR

Brass connector for demand valve test kit



DESCRIPTION
MILCOM
ND NO.
ND0003052
NSN
N/A

NORTHERN DIVER
INFO@NDIVER.COM | +44 (0) 1257 25 44 44
VISIT WWW.NDIVER-MILITARY.COM



DEMAND VALVE TEST KIT

O-RING BSO11 NBR70

BSO11 Nitrile O-ring 5/16in ID x 1/16
Cross Section



DESCRIPTION
MILCOM
ND NO.
ND0000130
NSN
N/A

NORTHERN DIVER
INFO@NDIVER.COM | +44 (0) 1257 25 44 44
VISIT WWW.NDIVER-MILITARY.COM



DEMAND VALVE TEST KIT

ALLEN KEY 5MM

Metric Hexagon Key, 5.0mm

Manufactured from chrome vanadium steel that's hardened and tempered then applied with a chemically blacked protective finish and chamfered ends.

Made from chrome vanadium steel that's hardened and tempered
Chemically blacked protective finish
Chamfered ends



DESCRIPTION

MILCOM

ND NO.

ND0003021

NSN

N/A

NORTHERN DIVER
INFO@NDIVER.COM | +44 (0) 1257 25 44 44
VISIT WWW.NDIVER-MILITARY.COM

DEMAND VALVE TEST KIT - FULL CONTENTS



DEMAND VALVE TEST KIT

ALLEN KEY 6MM

Facom 83SH.6 Long Metric Ball Ended Hexagon Key 6mm

NF ISO 2936, ISO 2936, DIN ISO 2936, ASME B18.3.2M.

Manufactured in silicon steel.

The spherical head allows to handle screws with a tilt angle up to 30°.

Finish: phosphate-coated.



DESCRIPTION

MILCOM

ND NO.

ND0003020

NSN

N/A

NORTHERN DIVER

INFO@NDIVER.COM | +44 (0) 1257 25 44 44

VISIT WWW.NDIVER-MILITARY.COM

DEMAND VALVE TEST KIT - FULL CONTENTS



DEMAND VALVE TEST KIT SERVICE CARD

850 micron plastic
Full colour print
2 sides
Size: 54mm x 85mm

NORTHERN DIVER
MINE WARFARE & MILITARY DIVING SPECIALISTS

DEMAND VALVE SERVICE CARD

INTERSPIRO DIVATOR MK II
NON-POSITIVE PRESSURE FACEMASK

SUPPLIERS TO THE MILITARY OF...

Dive Suits
Wetsuit Systems
Underwater Hydraulic Tools
Communication Systems
PBAC
Seabed Search Boxes
Dive Equipment

www.ndiver-military.com

DESCRIPTION
MILCOM
ND NO.
ND0002782
NSN
N/A



NORTHERN DIVER

MINE WARFARE & MILITARY DIVING SPECIALISTS

HEAD OFFICE

Northern Diver International Ltd
East Quarry, Appley Bridge, Wigan
Lancs, WN6 9AE, UK

MEL SIMM

Office: +44 (0) 1257 25 69 36

Mobile: +44(0) 7877 693 876

Email: mel@ndiver.com

NEIL TORDOFF

Office: +44 (0) 1257 25 69 49

Mobile: +44(0)7872 061 533

Email: neil@ndiver.com

VISIT

www.ndiver-military.com